

NHC15A可编程微电脑时控开关

NHC15A programmable microcomputer time control switch

功能

- 导轨安装
- 提前一周预设置
- 最新技术COMS石英微控制器
- 数字电子通用时间开关，每日和每周节目
- 重复8/16开/关设置程序。
- 最新的定位精度。
- LCD实时显示小时/分钟和开/自动/关。

Feature

- DIN Rail Installation
- Advanced pre-setting one week before
- Latest technology COMS quartz Micro-controller
- Digital electronics general purpose time switch with daily and weekly programs
- Repeat programs with 8/16 ON/OFF settings.
- To-the-minute setting accuracy.
- LCD displays real time to Hour/Minute and ON/AUTO/OFF.

产品概述 Product Overview

规格

- 额定电压:AC220V 50/60HZ(其他电压可定做)
- 定时误差 $\leq 1s/d(25^{\circ}C)$ 时)
- 触点:1 c
- 负载能力:16A 250VAC(电阻因为 $\varnothing= 1$)
- 开/关操作:8/16开/关
- 最小间隔:1分钟
- 使用寿命:机械: 10^7 , 电气: 10^5
- 重量:约150 g
- 环境温度: $-10 \sim 55^{\circ}C$
- 显示器;液晶
- 电池备份:3年

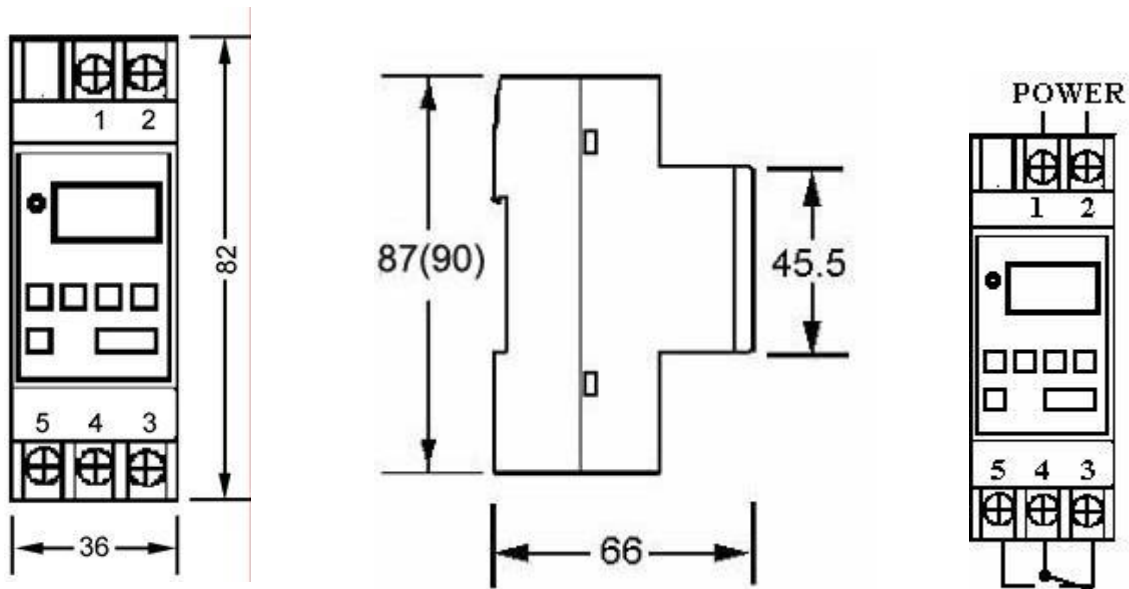
●功耗:最大7.5VA

Specification

- Rated voltage: AC220V 50/60HZ (other voltage can be customized)
- Timing error $\leq 1s/d$ (at25°C)
- Contact :1C
- Load capacity: 16A 250VAC (Resistance COS $\varnothing=1$)
- On/off operation: 8/16 ON/OFF
- Minimum interval: 1 minute
- Service life: Mechanically: 10^7 , Electrically: 10^5
- Weight: Approx 150g
- Ambient temperature -10~55°C
- Display; LCD
- Battery backup: 3 years
- Power consumption: 7.5VA max.

产品参数Product parameters

尺寸图Dimension



注意:

- 1.在接通电源之前，请检查您的设备是否符合工作电压。
- 2.当你购买本产品时，内部电池对自身进行长时间放电，电量储备就会降低。当内部电池完全放电时。即使接通电源，产品仍然不能立即工作，那么请接通电源，接通电源，等待约10分钟后再设置产品当前时间。大约3天后，就会有充足的能量储备。
- 3.它将每天保持相同的程序，除非改变程序。
- 4.将设置针完全向右设置，直到听到“咔”的声音。

NOTE:

1. Before turning power on, check that your unit conforms to the operating voltage.
2. When you buy this product, the inside battery for a long dis-charge itself, the power reserve will lower . when the inside battery completely discharge. even if connect and switch on the power source , the product still not working immediately, then please connect and switch on the power source, and wait about 10minutes before set the product present time. The full power reserve is built up after about 3 days.
3. It will keep the same program every day unless changing the program.
4. Set the setting pin to the right fully until a click is heard.