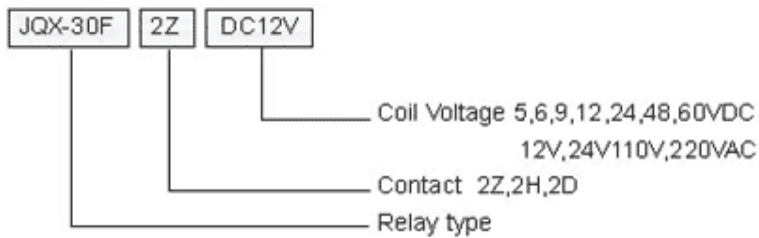


Naidian

Power relay

Name: JQX-30F Power Relay

Ordering Information



Contact Data

Contact Form	1Z,1H,1D,2Z,2H,2D
Contact Resistance	30mΩ (1A 6VDC)
Contact capacity	30A 250VAC 2HP 250VAC

Characteristics

Insulation Resistance	1000MΩ、 500VDC
Dielectric Strength	Between coil and contacts 2500VAC 1minute
	Between open contacts 1200VAC 1minute
Operate /Release Time	20ms / 15ms
Terminal Type	Screw

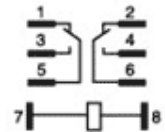
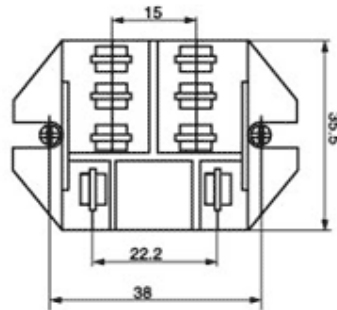
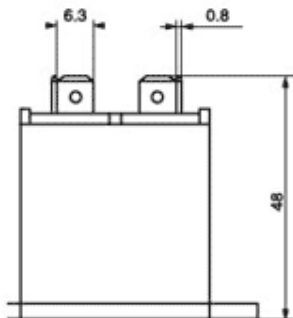
COIL Power

Nominal Coil Power	DC2.5W AC4.0VA
--------------------	----------------

Coil data

Nominal Voltage VDC	Pull-in Voltage VDC	Release Voltage VDC	Coil Resistance Ω : $\pm 10\%$	Nominal Voltage VAC	Pull-in Voltage VDC	Release Voltage VDC	Coil Resistance Ω : $\pm 10\%$
6	4.20	0.60	30	12	9.60	3.60	11.2
12	8.40	1.20	130	24	19.20	7.20	4.5
24	16.8	2.40	450	48	38.40	14.40	100
48	33.6	4.80	1820	110	88.00	36.00	940
60	42.0	6.00	2800	220	176.00	72.00	3760
110	88.0	11.0	9650	240	176.00	72.00	5050

Outline Dimensions And Wiring Diagram



JQX-30F

Characteristic Curves

